

06A	ECO : 21 0664	CJK	RH		18/09/00
05B	CCO 1603/009	CM			02/02/00
05A	CCO 1603-008 BCU TRACK 2 VIAS	TS			15-12-99
04B	CCO 1603/007	TS			18-11-99
04A	CCO 1603/004 1603/005 1603/006	CJK			05/11/99
03A	CCO 1603/003	CJK	SP		6/10/99
02A	CCO 1603/001 & 002	CJK			24/09/99
01A	NEW PA FOR 400-470 MHZ	CJK	JJ		10/06/99
REV/ISS	AMENDMENTS	DRAWN	CHKD	D.O.	APVD DATE

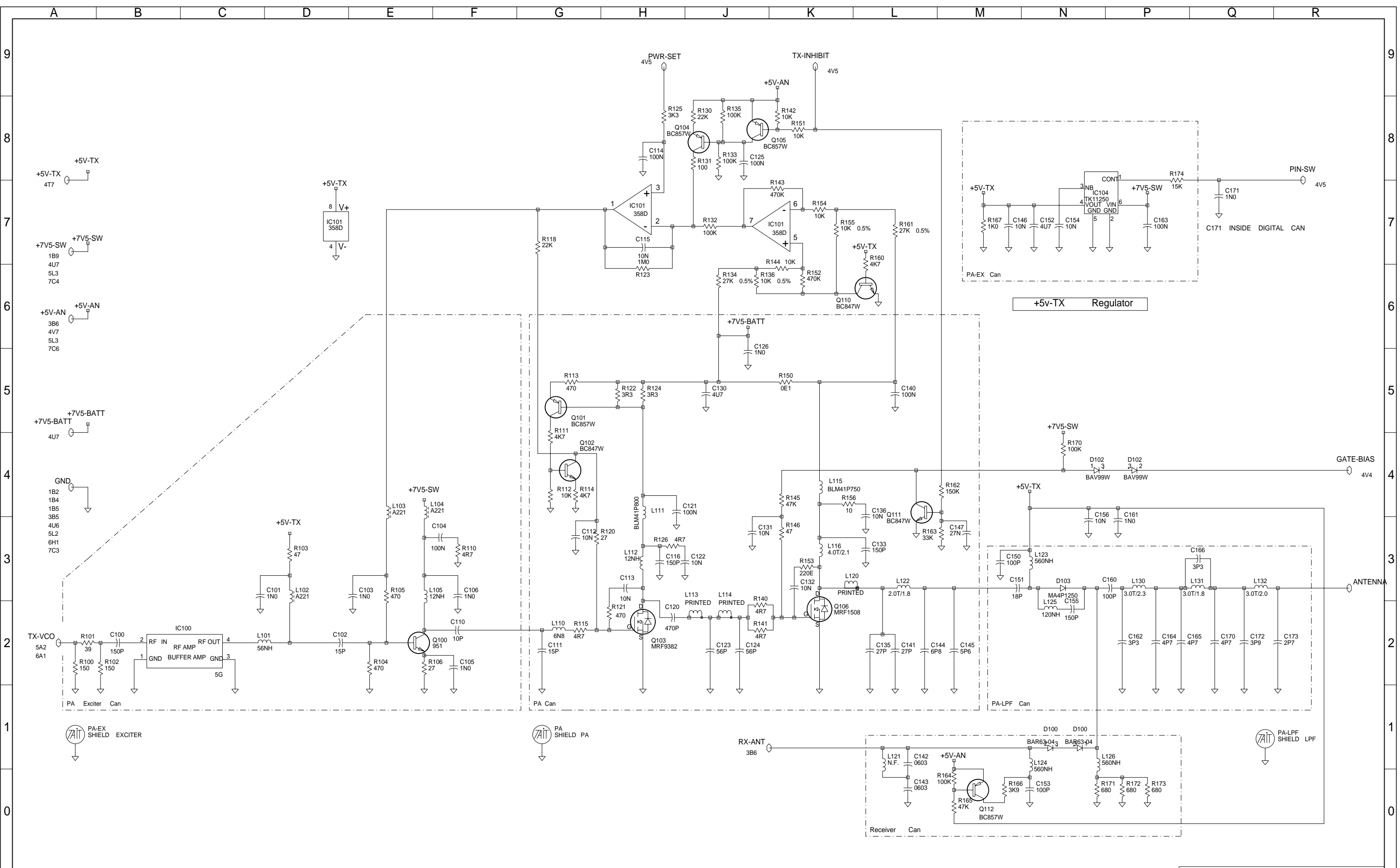


© TAIT ELECTRONICS

ORCA : 400-470MHZ SYSTEM DIAGRAM

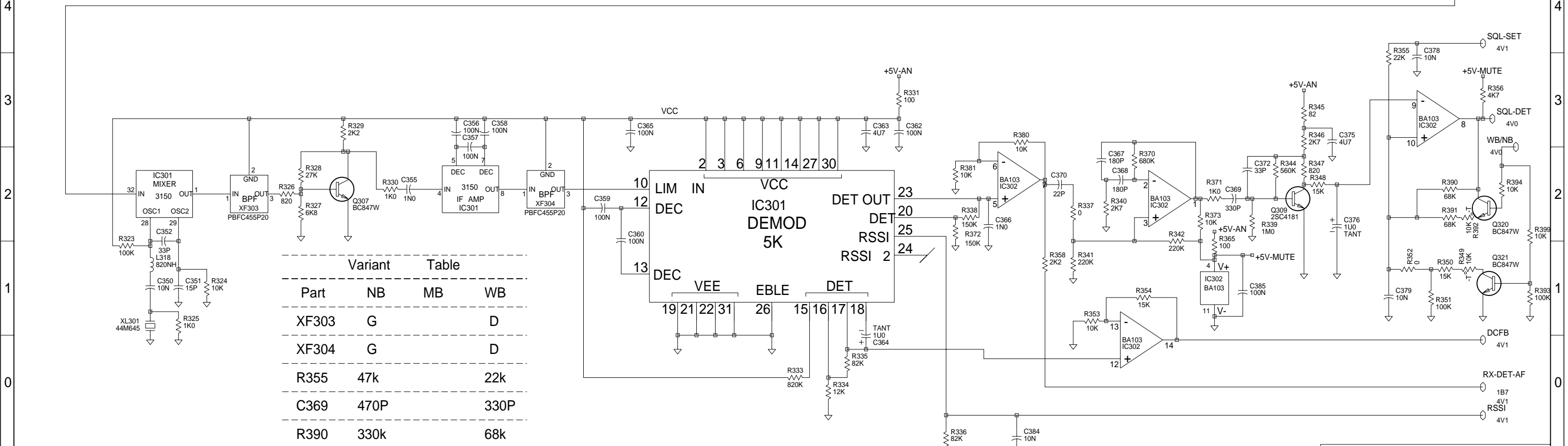
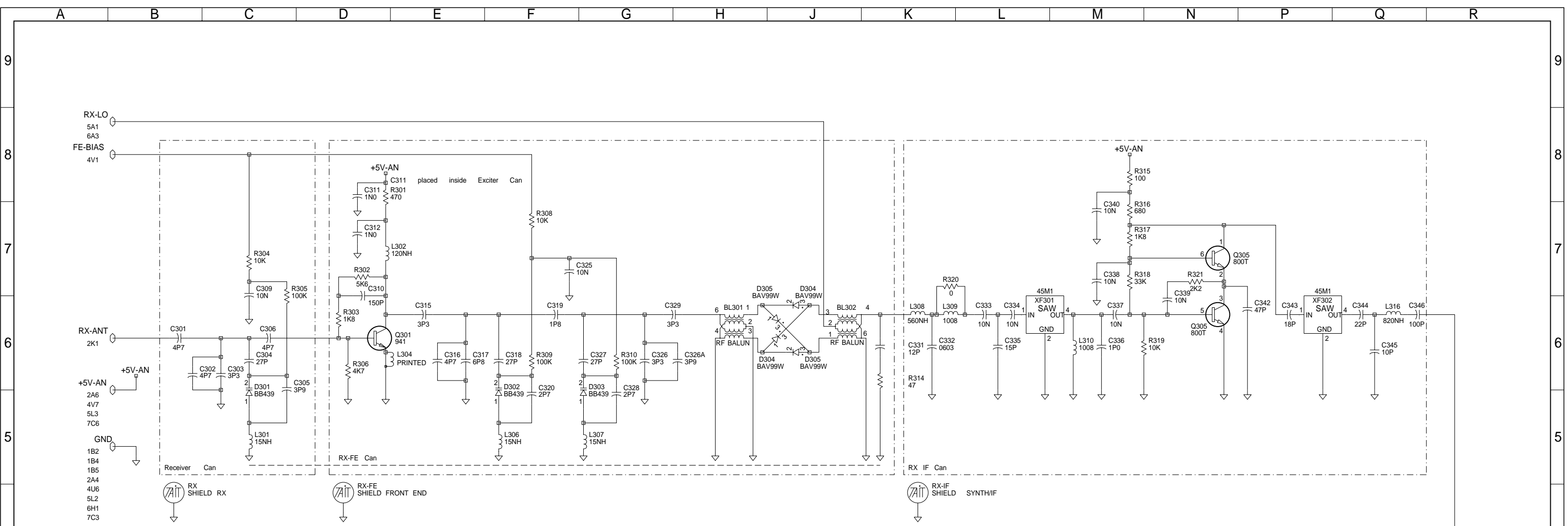
IPN: 220-01603-06 ISSUE: A ID: 2.S.C. 1

PROJECT: ORCA DESIGNER: CJK FILE NAME: 160306a FILE DATE: 19-Sep-00 NO.SHEETS: 7



© TAIT ELECTRONICS
 ORCA : 400-470MHZ
 POWER AMPLIFIER
 IPN: 220-01603-06 ISSUE: A ID: 2.S.C. 2
 PROJECT: ORCA DESIGNER: CJK FILE NAME: 160306a FILE DATE: 19-Sep-00 NO.SHEETS: 7

REV/ISS	AMENDMENTS	DRAWN	CHKD	D.O.	APVD	DATE
A						



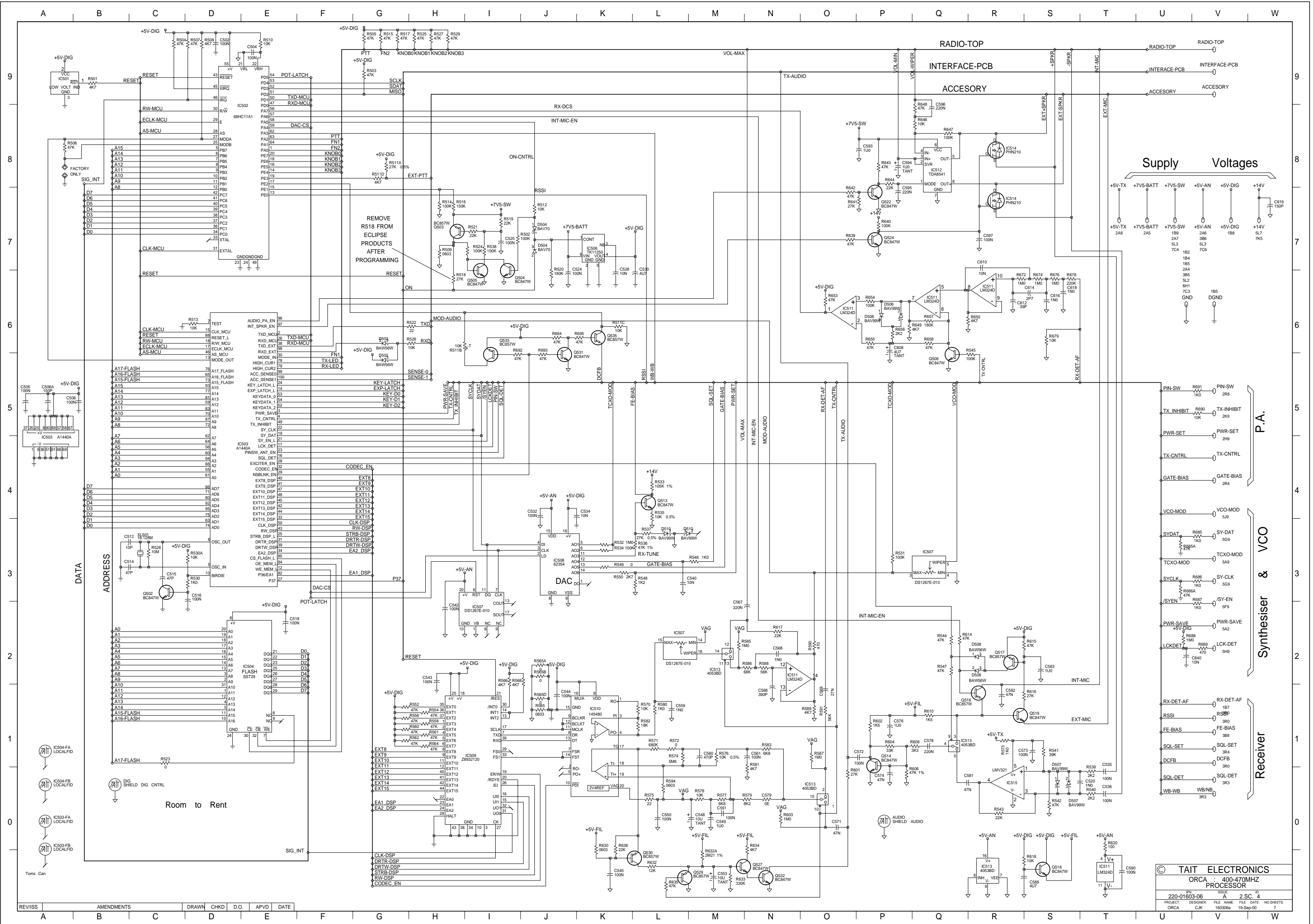
© TAIT ELECTRONICS

ORCA : 400-470MHZ RECEIVER

IPN: 220-01603-06 ISSUE: A ID: 2.S.C. 3

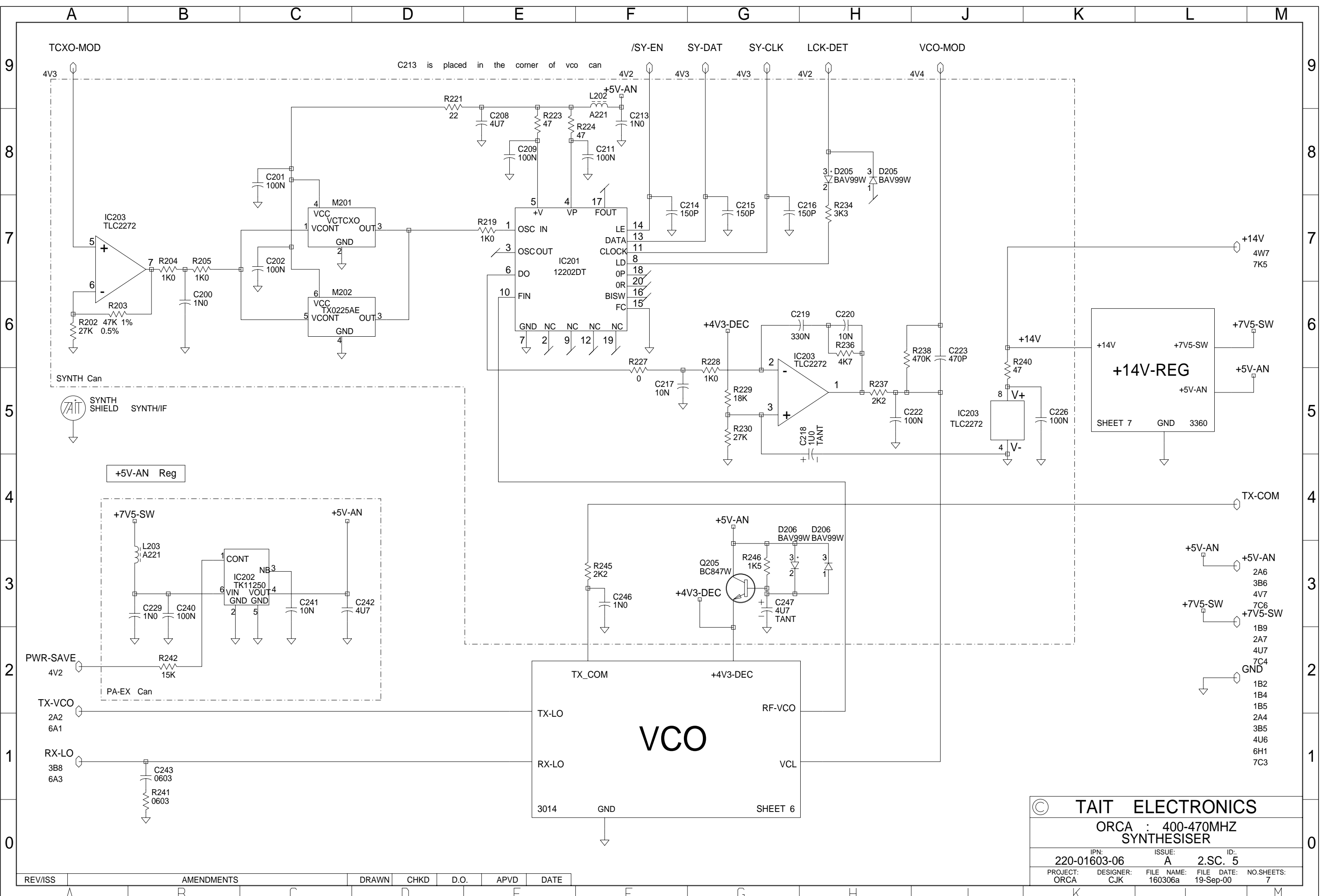
PROJECT: ORCA DESIGNER: CJK FILE NAME: 160306a FILE DATE: 19-Sep-00 NO.SHEETS: 7

REV/ISS	AMENDMENTS	DRAWN	CHKD	D.O.	APVD	DATE
A						



© TAIT ELECTRONICS
 ORCA : 400-470MHZ
 PROCESSOR
 220-01603-06
 2-SC-4
 PROJECT: ORCA DESIGNED: FILE DATE: NO SHEETS:
 ORCA CJK 160306a 19-Sep-00 7

REV/ISS	AMENDMENTS	DRAWN	CHKD	D.O.	APVD	DATE
A						



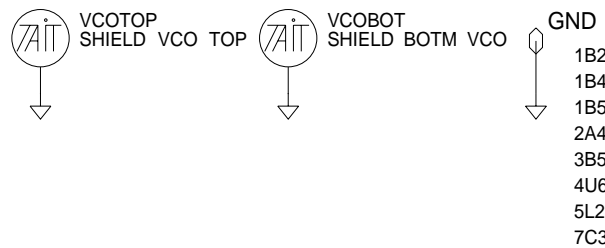
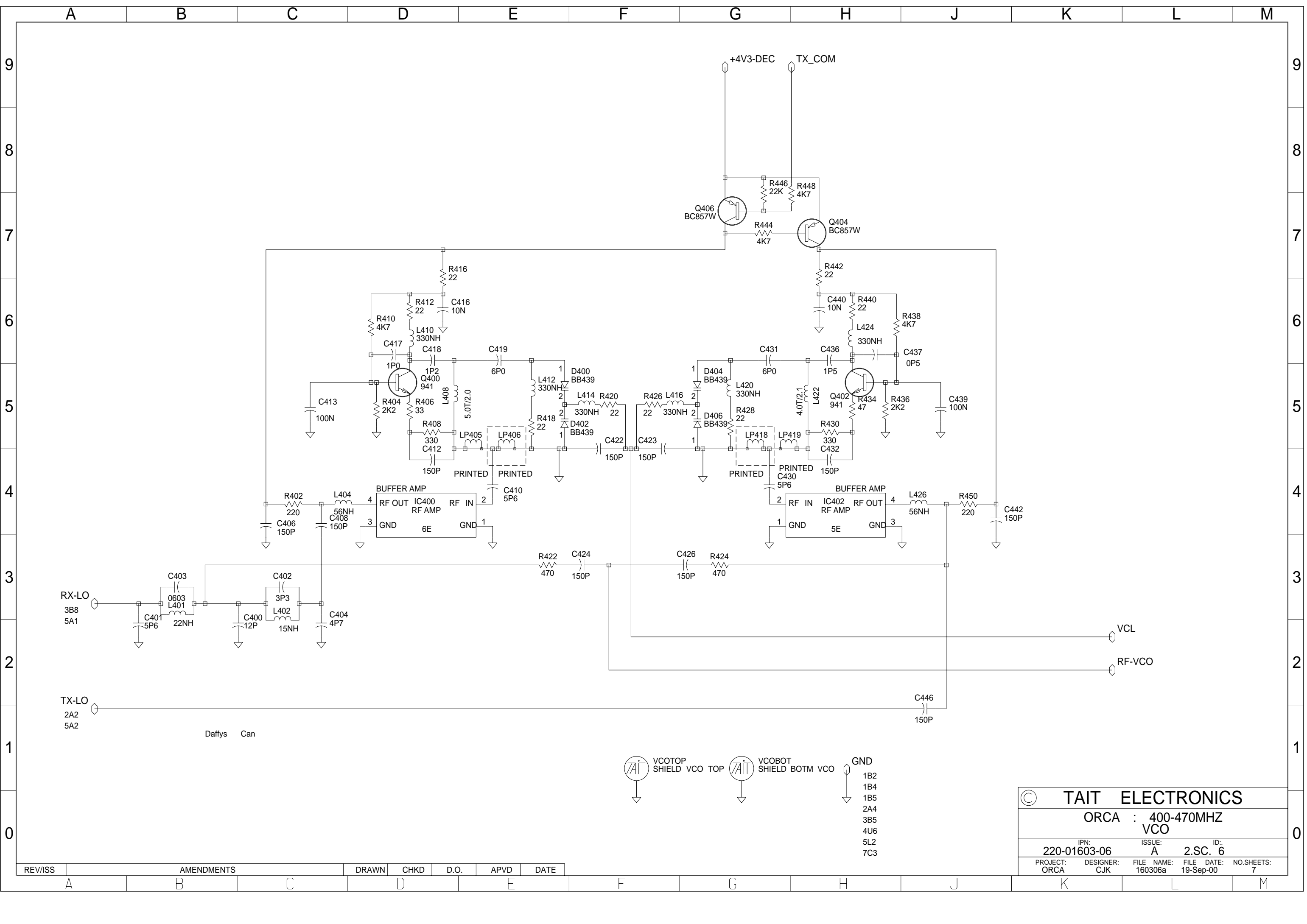
© TAIT ELECTRONICS

ORCA : 400-470MHZ SYNTHESISER

IPN: 220-01603-06 ISSUE: A ID: 2.SC. 5

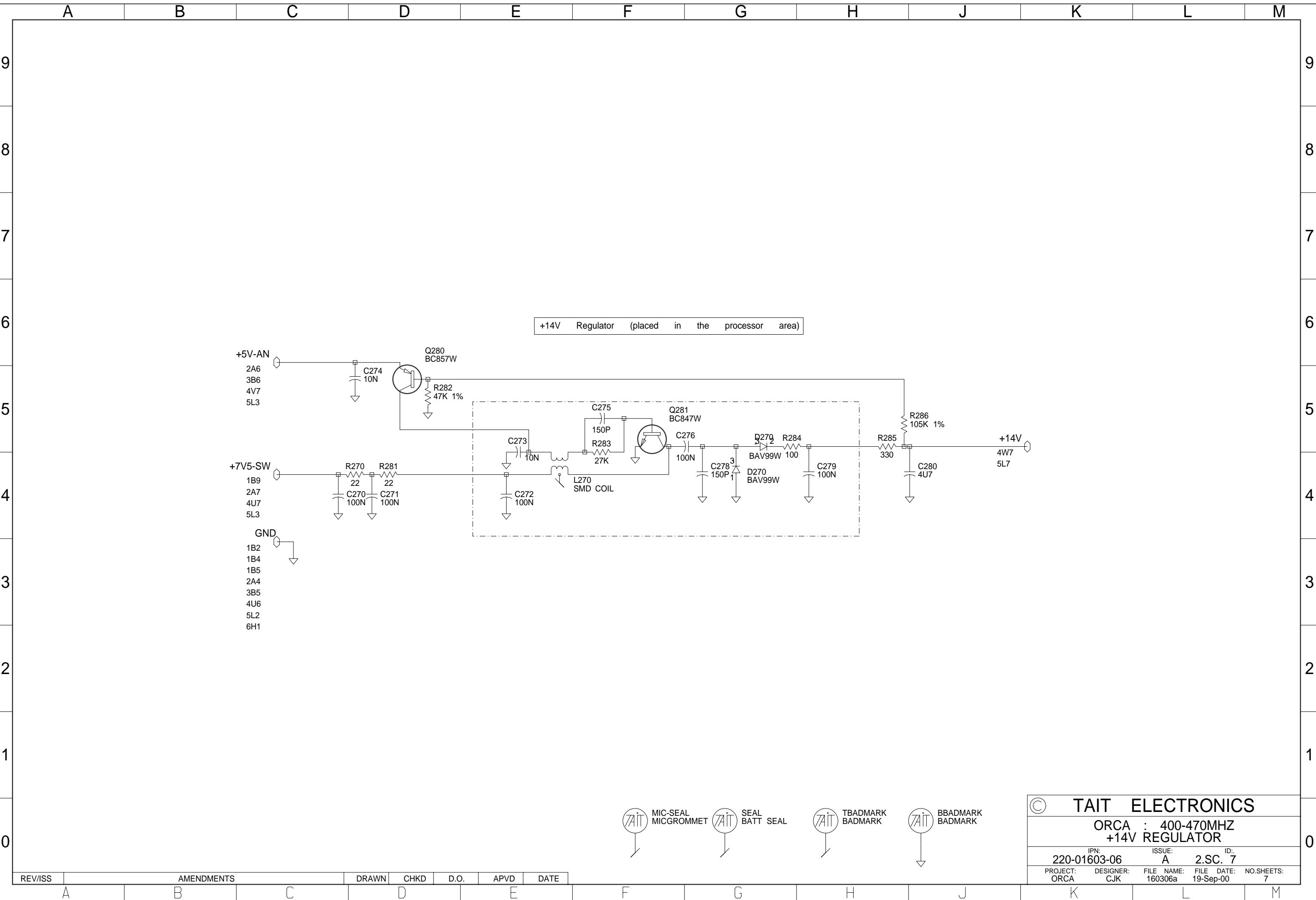
PROJECT: ORCA DESIGNER: CJK FILE NAME: 160306a FILE DATE: 19-Sep-00 NO.SHEETS: 7

REV/ISS	AMENDMENTS	DRAWN	CHKD	D.O.	APVD	DATE



© TAIT ELECTRONICS				
ORCA : 400-470MHZ VCO				
IPN:	ISSUE:	ID:		
220-01603-06	A	2.SC. 6		
PROJECT:	DESIGNER:	FILE NAME:	FILE DATE:	NO.SHEETS:
ORCA	CJK	160306a	19-Sep-00	7

REV/ISS	AMENDMENTS	DRAWN	CHKD	D.O.	APVD	DATE



+5V-AN
2A6
3B6
4V7
5L3

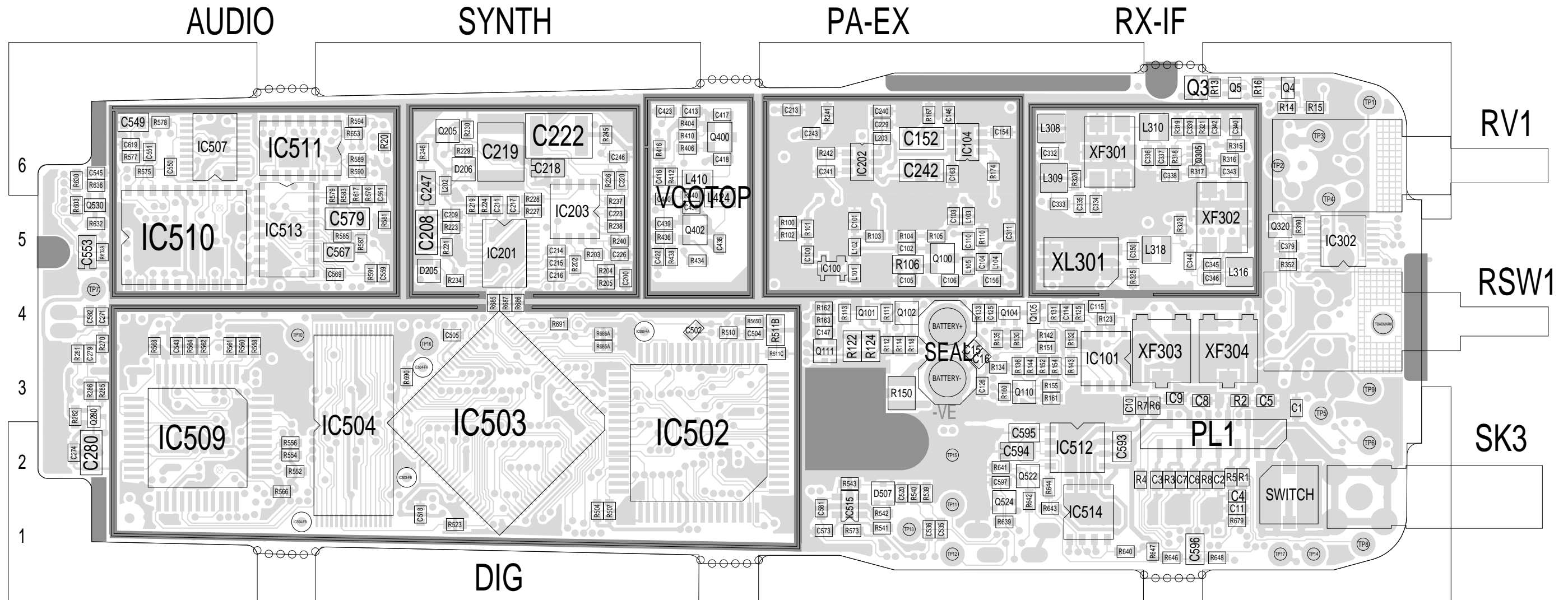
+7V5-SW
1B9
2A7
4U7
5L3

GND
1B2
1B4
1B5
2A4
3B5
4U6
5L2
6H1

- MIC-SEAL
MICGROMMET
- SEAL
BATT SEAL
- TBADMARK
BADMARK
- BBADMARK
BADMARK

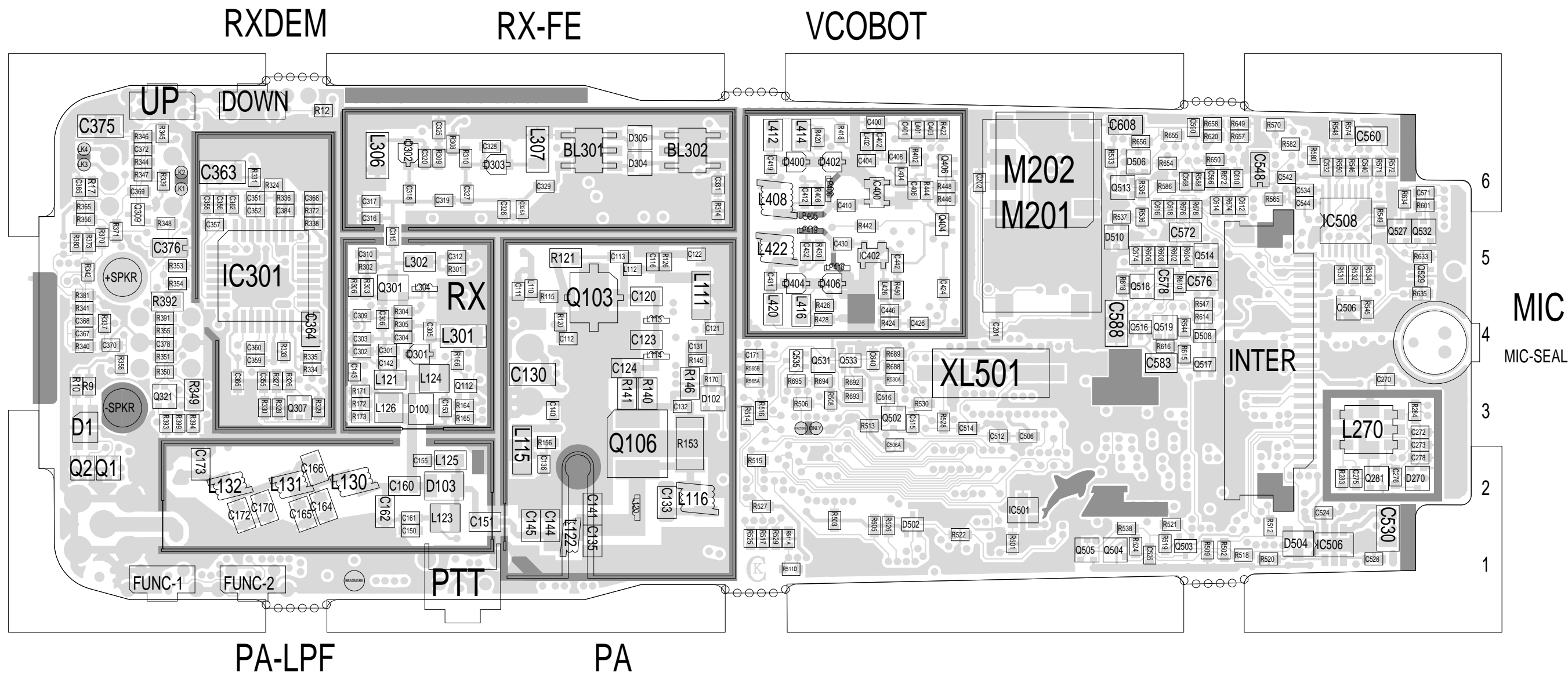
© TAIT ELECTRONICS				
ORCA : 400-470MHZ +14V REGULATOR				
IPN: 220-01603-06	ISSUE: A	ID: 2.SC. 7		
PROJECT: ORCA	DESIGNER: CJK	FILE NAME: 160306a	FILE DATE: 19-Sep-00	NO.SHEETS: 7

REV/ISS	AMENDMENTS	DRAWN	CHKD	D.O.	APVD	DATE



TAIT ELECTRONICS IPN: 220-01603-06 ISS: A ID: 1.TA DATE: 18 Sep 2000
 ORCA UHF PCB LAYOUT - TOP SIDE

Scale: 2.3:1 ; Rotation: 0 degrees



TAIT ELECTRONICS	IPN: 220-01603-06	ISS: A	ID: 6.BA	DATE: 18 Sep 2000
ORCA UHF PCB LAYOUT - BOTTOM SIDE				

Scale:2.3:1 ; Rotation: 0 degrees